

**Platform
BedliftKit.com**
PATENT PENDING

Visit us online at: www.PlatformBedliftKit.com
P.O. Box 280804, Denver, CO 80228 USA
Questions: email - info@hatchlift.com

Included in the Kit:

- 2 - Gas Springs
- Mounting Brackets
- Screws
- Support Hangers
- Rope Handle
- Instructions

Tools May Be Required:

- Tape Measure
- Chalk Box
- Wood Clamps
- Power Saw
- Jig Saw
- Variable Speed Drill
- 1/8" & 3/16" Drill Bits
- 1/8" #2 Countersink
- #2 Phillips Tip
- #2 Screwdriver
- Sandpaper
- Framing Square
- Table Saw
- Hack Saw

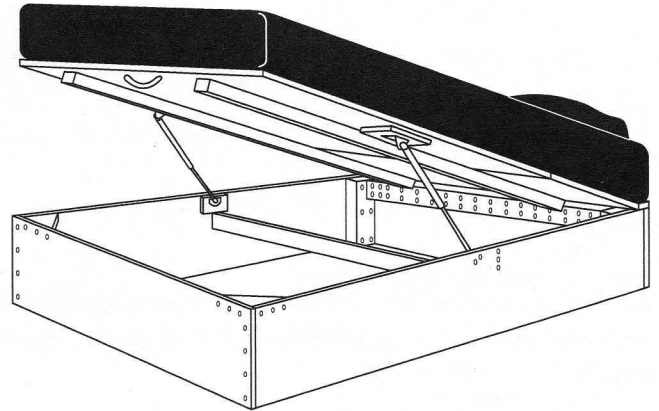
• WOOD COMPONENTS ARE NOT INCLUDED



Very Important - Please Read

Platform Bedlift Kits require:

- Read instructions **completely** before proceeding
- Ability to lift, handle, and modify heavy wood components
- Ability to construct the platform bedlift kit
- Experience operating power and hand tools
- If you are not comfortable with any of the above, ask for help from a qualified assistant for assembling this kit
- Keep all children and animals from the bed when opening and closing



Platform Bedlift Kit Instructions
(Double & Full-Sized Mattress Beds)

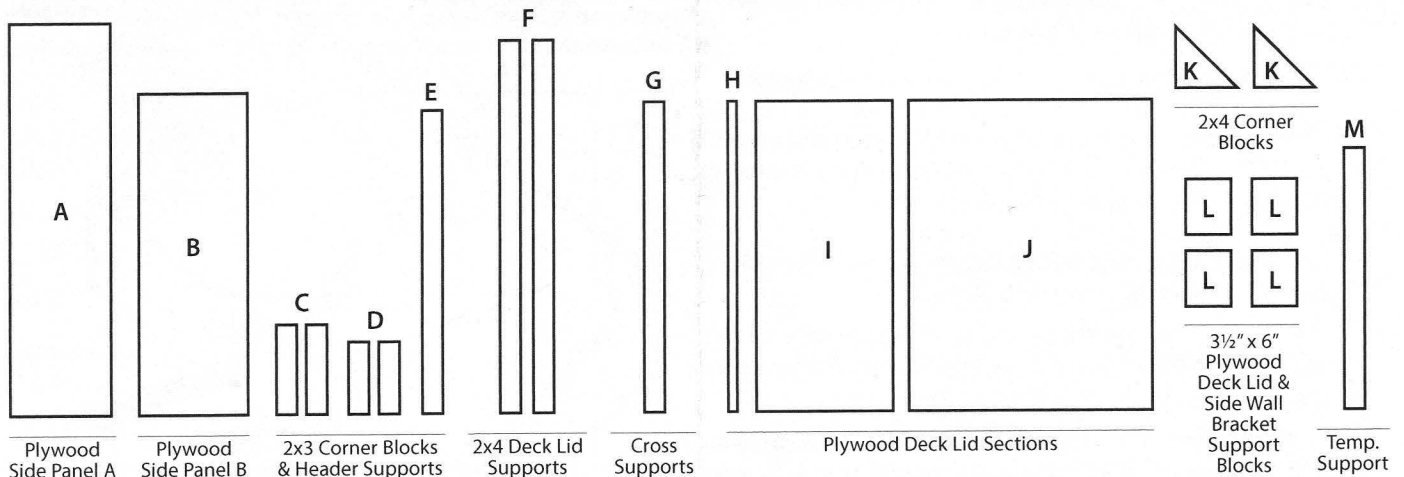
Step 1

- Purchase the required building materials from the list supplied (separate)
- Cut the wood pieces to match your bed size
**If you are not able to cut the plywood pieces, most home centers will cut the plywood for free or a small fee. Visit the home center when they are not busy - it will be easier to get assistance*
- You can prep and do the preliminary assembly in a garage, basement, etc.
- For final assembly, place all components in the room or area where the bed will be installed - the beds are large and difficult to move once assembled

GAS SPRINGS ARE UNDER HEAVY PRESSURE

GAS SPRINGS CANNOT BE COMPRESSED WITHOUT THE WEIGHT OF THE MATTRESS AND BEDDING IN PLACE

Wood Components (see "Materials & Cut List")



Before assembly, sand all plywood edges of the platform box with 80 grit sandpaper. To prevent splinters, wear gloves while sanding. **Optional: Paint or stain. Use a wood sealer prior to finishing. Make sure the bottom edges are dry before assembly.*

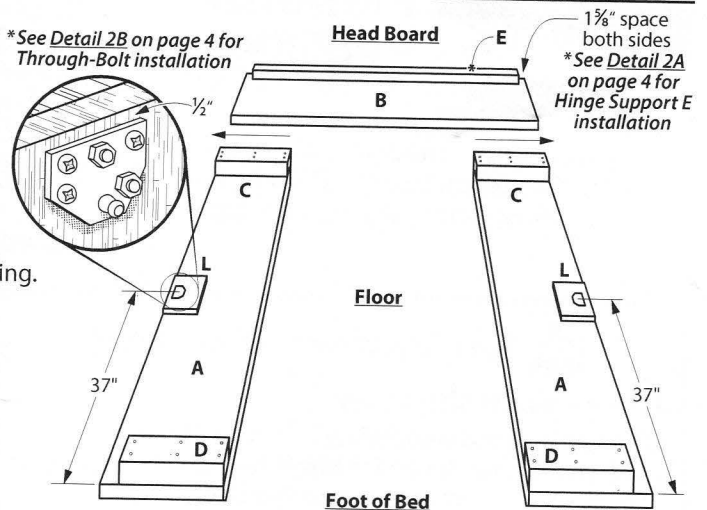
Step 2 - Panel Assembly

- Layout two panels **A** and one panel **B** on a flat level surface with finished sides facing down.
- Fasten corner supports **C** and **D** to the inside face of panels **A**. Use wood clamps, glue and 2" screws. Do not penetrate outside facing plywood.
- Center and fasten Hinge Support Board **E** flush to the top of the Head Board **B** using clamps, glue, and 2" screws. Make sure there is a $1\frac{1}{8}$ " space on both sides before installing. Adjust Board **E** as necessary.

See Detail 2A on page 4 for glue and screw location

- Install two flat 10mm spring mounting brackets $\frac{1}{2}$ " down from the top edge of both panels **A** and 37" in from the front edge.

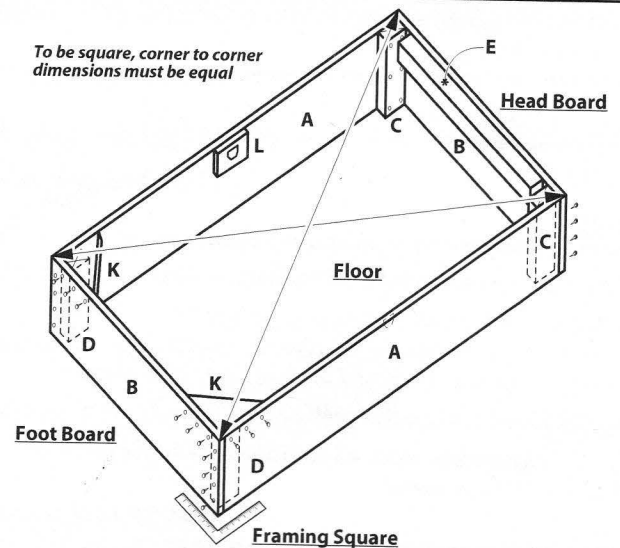
See Detail 2B on page 4 for Through-Bolt installation



Step 3 - Frame Assembly

Note: Assemble the bed frame in the room or area where the bed will be used

- Pre-drill and fasten both end panels **B** to side panels **A** with four 2" screws. Do Not Glue. Use countersink bit if you plan on finishing or using trim caps.
- Using a framing square or tape measure, make sure the assembly is square.
- Install two 2 x 4 corner stiffeners **K** with 2" screws. Do Not Glue.



Step 4 - Cross Supports - Full & Double beds

- Measure the length for cross support **G** at end of the bed frame assembly between side panels **A**

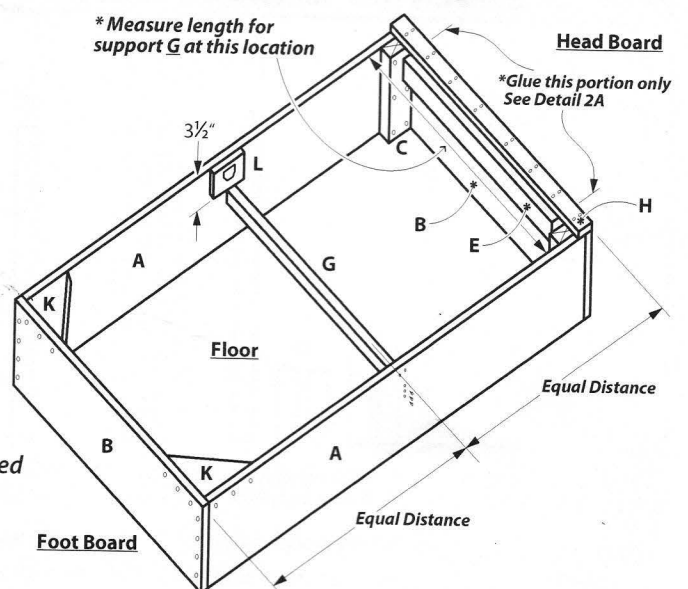
**This will eliminate any bows in the box between panels A*

- Install cross support **G** equal distance between end panels **B** positioning the top of support **G** $3\frac{1}{2}$ " down from the top of side panels **A** with three 2" screws per side

- Center and install deck section **H** on top of header support **E** and flush with outside face of panel **B**.

Use 2" screws and **glue*** only on top of header support **E** and adjacent top of panel **B** - this will allow for disassembly if you need to move the bed frame later

***Important step! Deck section H must be well adhered to the bed frame headboard. Allow glue to dry based on manufacturer's recommendations.**



Step 5 - Deck Supports

- 1 Position 2 x 4 deck supports vertically, spaced equal distance apart over cross supports **G**, with any crown* pointed up

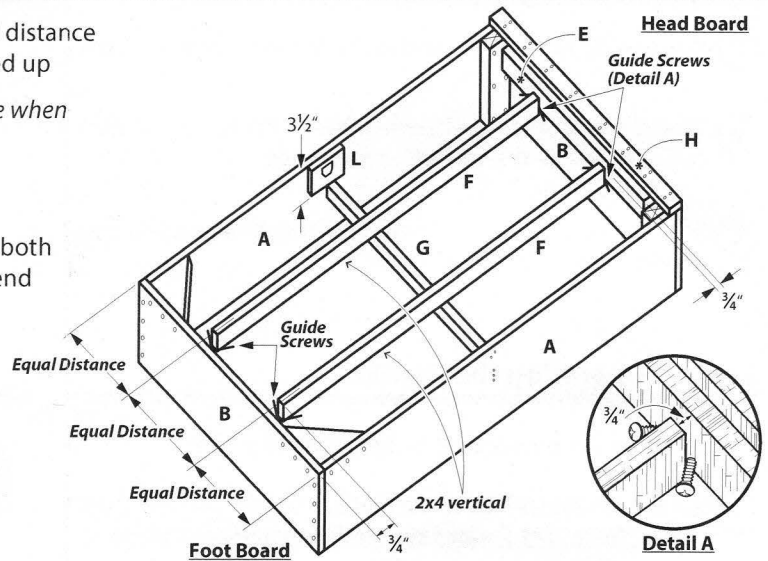
* Note: Crown is the upward arching curvature you see when you look down the narrowest edge of the board.

Deck lid supports **F** should have very minimal crown

- 2 Make sure there is a minimum of $\frac{3}{4}$ " space between both ends of deck supports **F** and header support **E** and end panel **B**

- 3 Install temporary guide screws into end panel **B** and header support **E** to hold supports **F** in position while attaching the deck lid sections in **Step 6**.

* See **Detail A** for Guide Screws

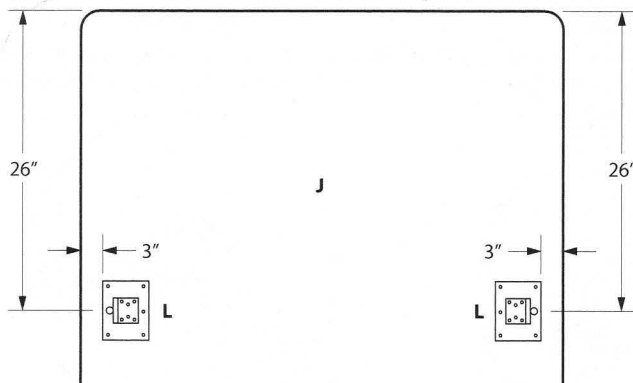
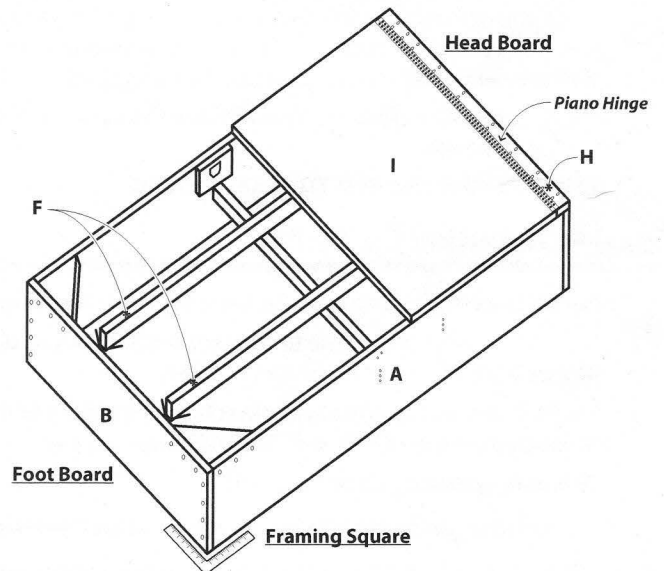


Step 6 - Deck Lid Assembly & Upper Mounting Blocks

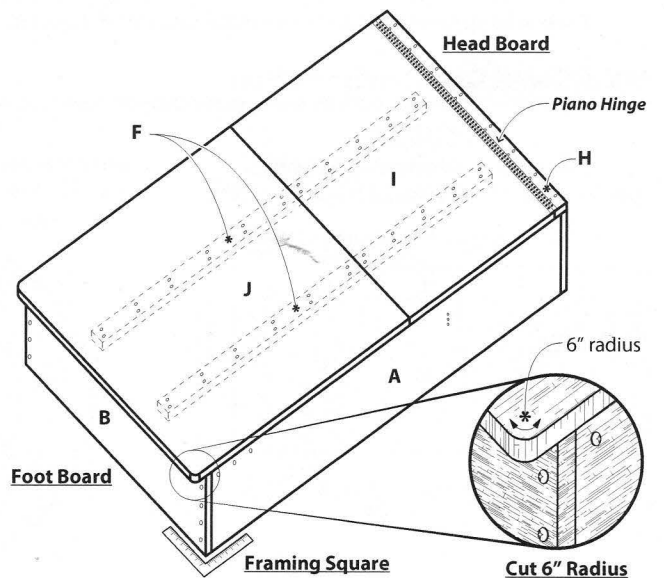
- 1 Place deck lid section **I** flush against section **H**
- 2 Install continuous piano hinge with the 6 x $\frac{3}{4}$ " screws bought separately. To prevent the hinge from buckling while installing, fasten screws from one side to the other.
- 3 Place deck lid section **J** bottom-side facing up onto the platform and install the upper mounting blocks **L** where shown using **glue** and 1 $\frac{1}{4}$ " gold screws provided.
- 4 Install the right-angle brackets in the center of the upper mounting blocks **L** with the $\frac{5}{8}$ " screws provided with the ball stud facing to the outside. Install continuous through-bolts at the locations shown in **Detail 6A** on page 4.
- 5 Turn deck lid section **J** over and place flush against deck lid section **I**. Recheck the platform assembly for being square.
- 6 Fasten deck sections **I** and **J** to deck supports **F** with 2" screws staggered every 6". Countersink flush with deck surface.

Do not glue

* **Note:** All glued components in this assembly must be allowed to cure based on the glue manufacturers recommendations

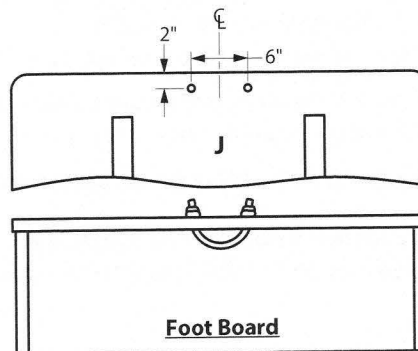


* See **Detail 6A** on page 4 for Through-Bolt locations on Upper Mounting Bracket



Step 7 - Install Lift Rope

- ① Drill two $\frac{5}{8}$ " holes at the end of the deck lid **J** where shown.
- ② Thread one end of rope handle through the top of the plywood platform and tie the end with a loop knot.
- ③ Feed opposite side of rope handle through the second hole and tie the end with a loop knot.

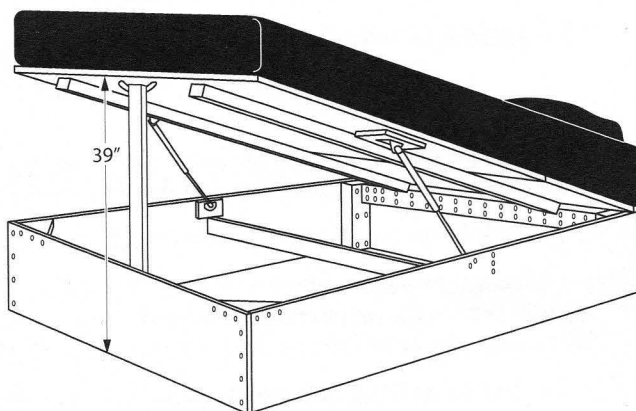


Step 8 - Operating the Bedlift

- ① Place the mattress and all bedding onto the bed.
- ② Attach the gas springs to the metal brackets - rod end pointing down ***Note: Gas Springs cannot be manually compressed**
- ③ Remove the temporary support **M**. (Save support **M** for using as a safety support when working under the open platform)
- ④ Check the operation of the Bedlift by opening from the center of the bed using the rope handle. A small to medium amount of effort will be required to raise and lower the bed.

Always open and close the Bedlift from the center using the rope handle.

NEVER ALLOW THE BED TO SLAM CLOSED

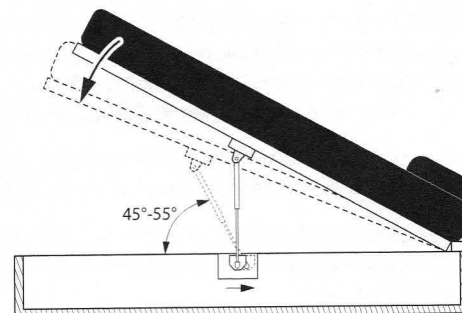


Step 9 - Adjusting the Bedlift

If the Bedlift is too difficult to operate, then adjust by lowering the platform:

- ① Support the Bedlift with the temporary support **M** and disconnect the gas springs from the lower mounting brackets.
- ② Uninstall and relocate the lower brackets to the back of the mounting blocks (towards the head of the bed). This will lower the bed 1"-2"
Optimum operating angle is 45° - 55°
- ③ Reattach the gas springs. Remove support **M** and test the Bedlift operation.

**Note: If the Bedlift is still too difficult to operate, contact us at info@hatchlift.com
Please include a picture of the installation in the email.**

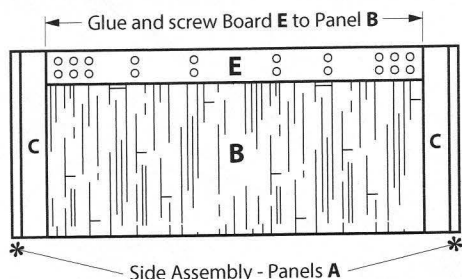


*Additional Detail Information

Detail 2A

Head Board Fastening Screws

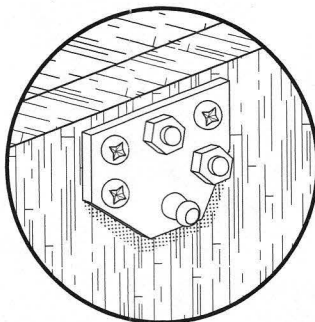
Glue and install screws shown in the diagram below



Detail 2B

Lower Mounting Bracket Through Bolts

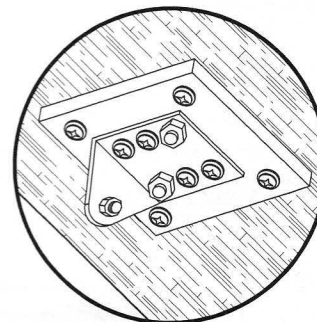
Pre-Drill with $\frac{3}{16}$ " drill bit and install the provided Through-Bolts



Detail 6A

Upper Mounting Bracket Through Bolts

Pre-Drill and install the provided Through Bolts



Schematic - Double & Full Sized Beds

